

Last update: 6-Oct-2016

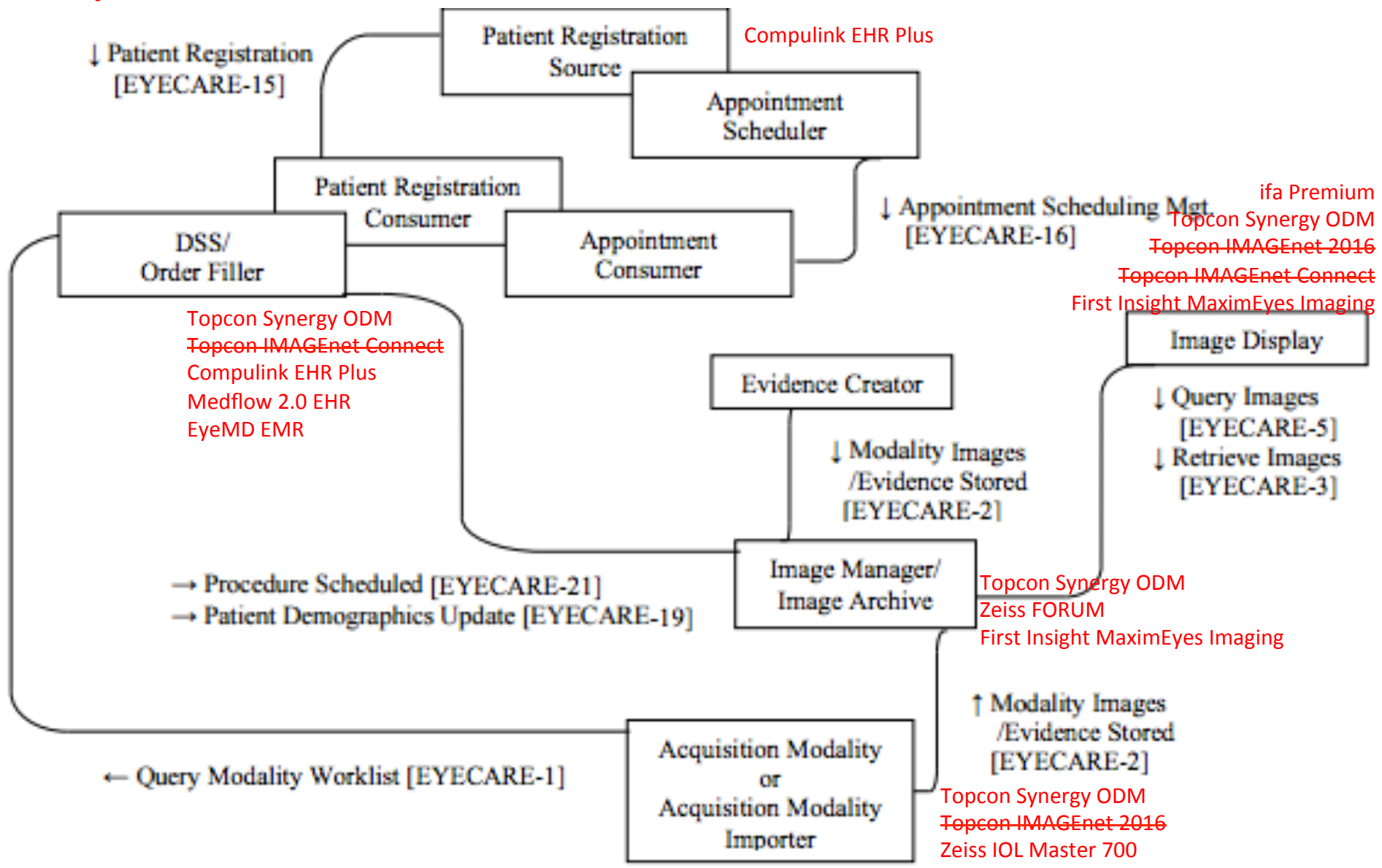


Figure 9.1.2-1: Real World Model I - Workflow Diagram

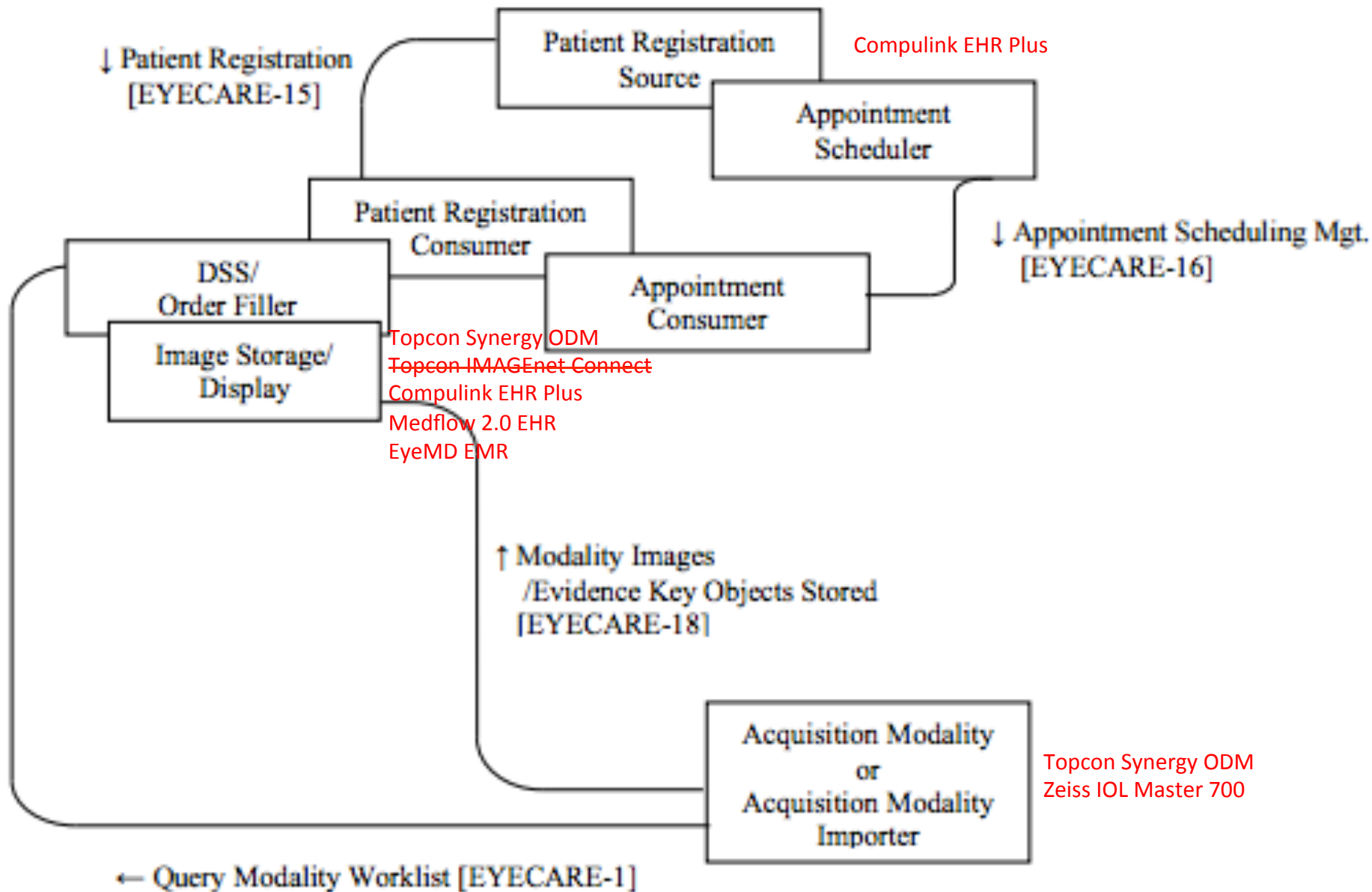


Figure 9.1.3-1: Real World Model II - Workflow Diagram

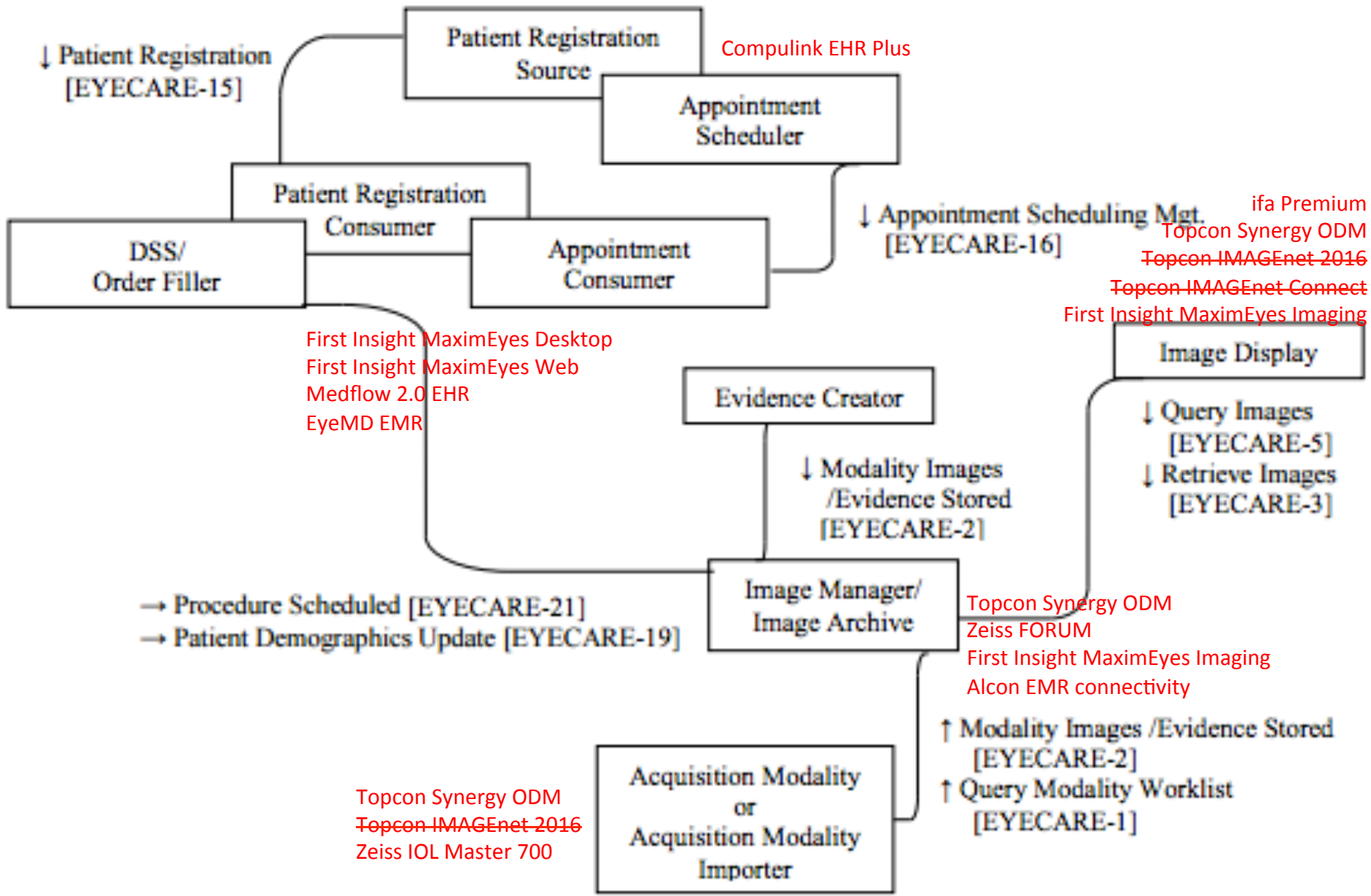


Figure 9.1.4-1: Real World Model III - Workflow Diagram

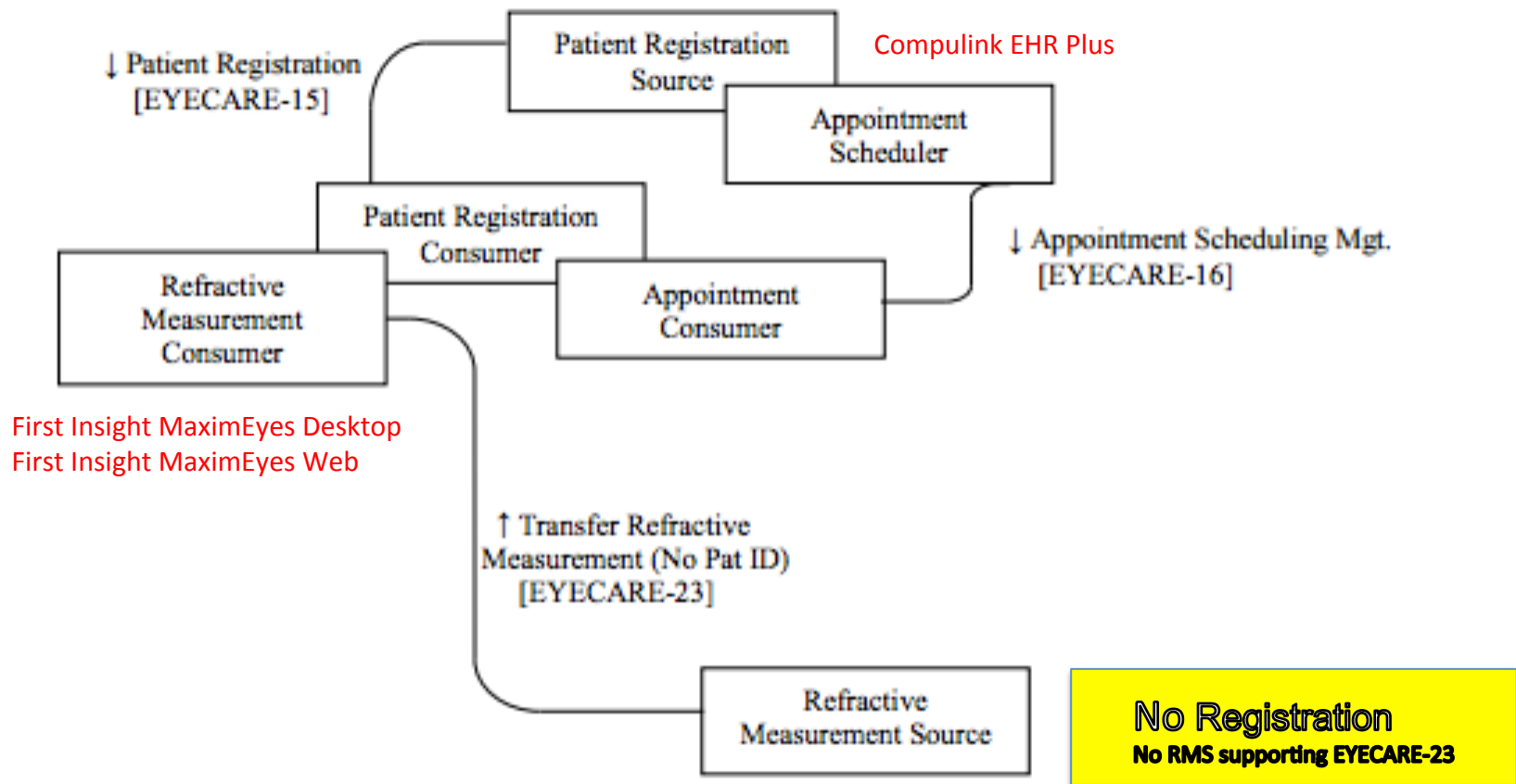


Figure 9.1.6-1: Refractive Measurement Model (No Pat ID) - Workflow Diagram

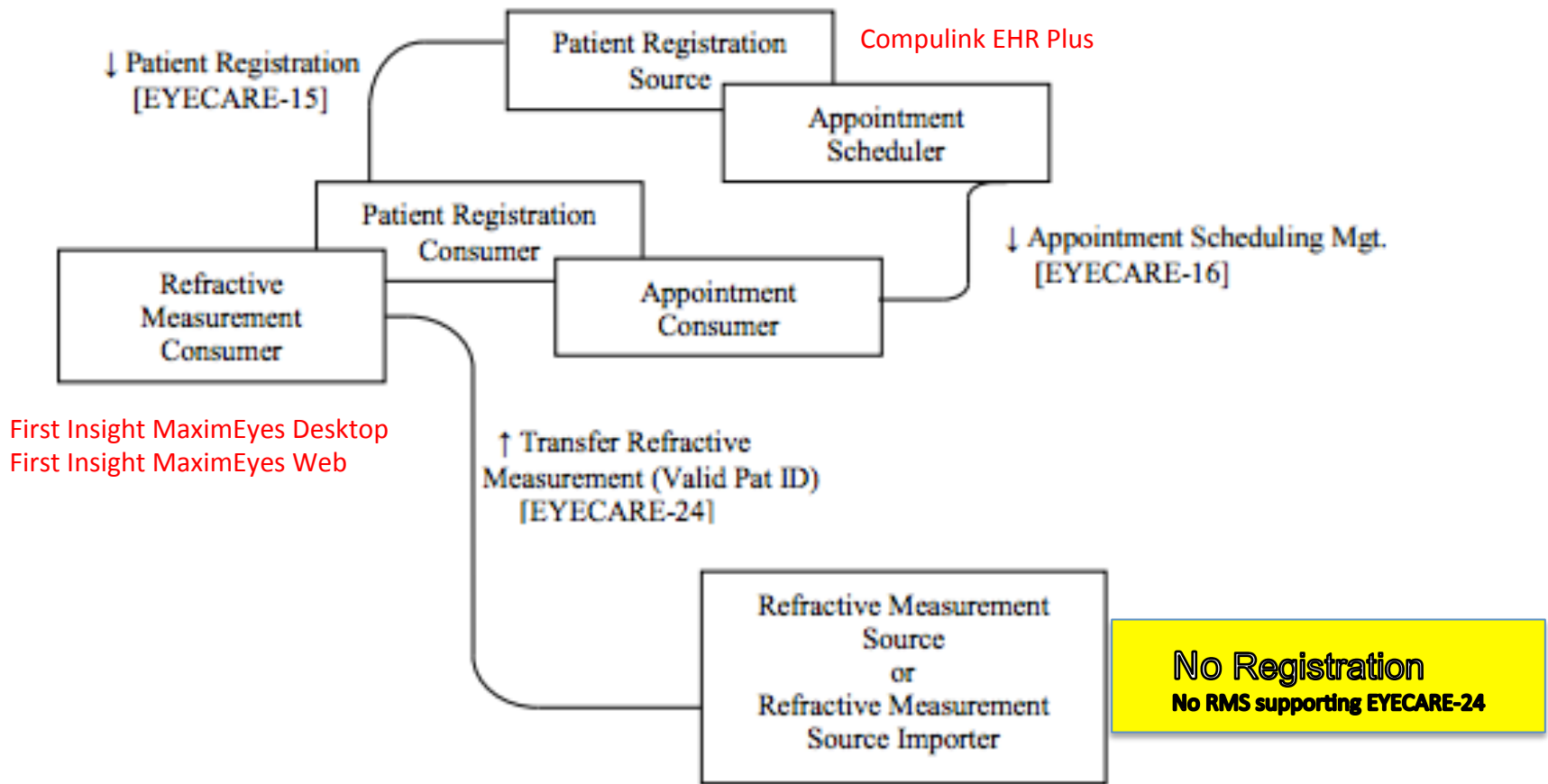


Figure 9.1.7-1: Refractive Measurement Model (Valid Pat ID) - Workflow Diagram

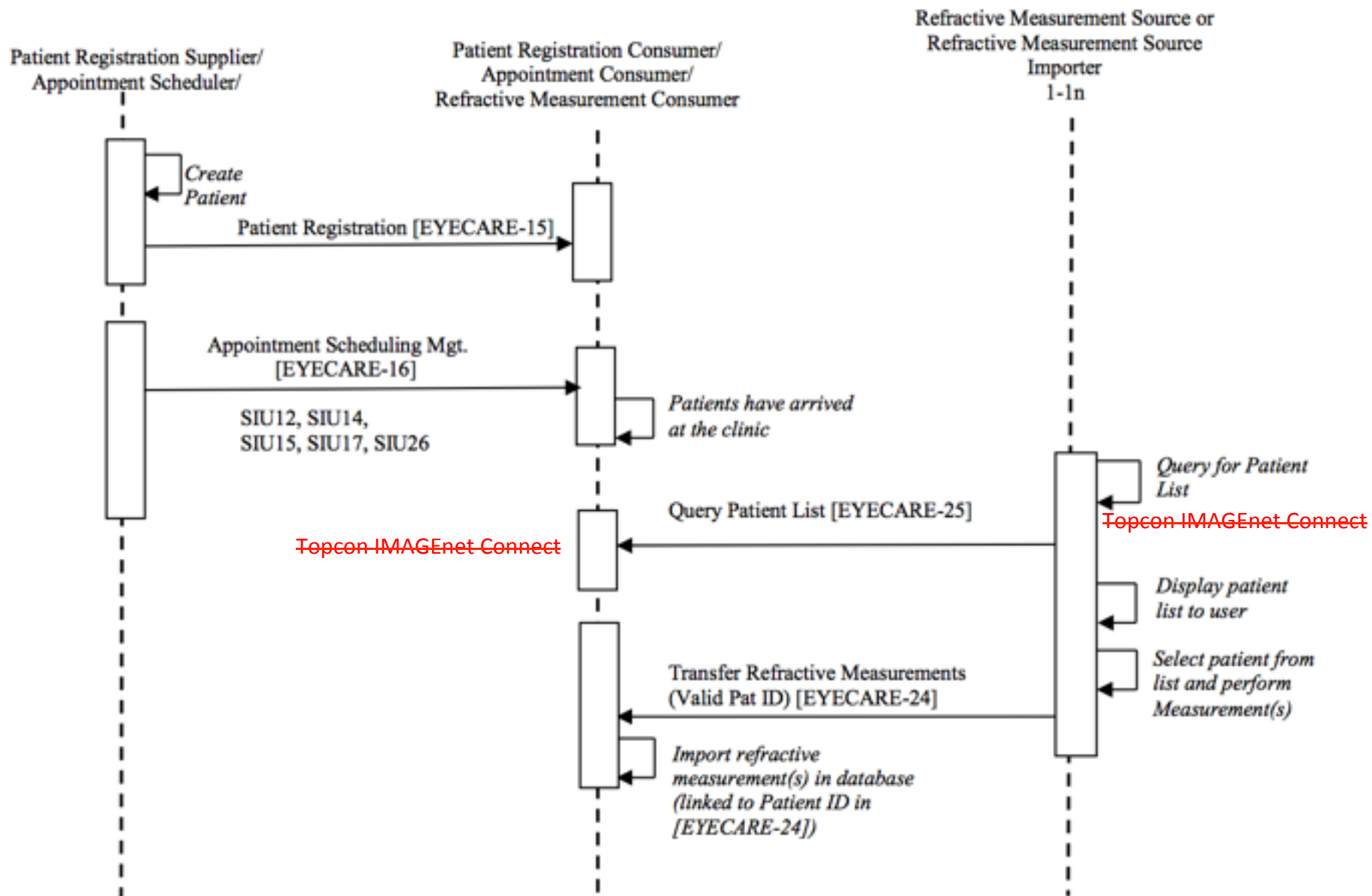


Figure 9.4.9-1: Device Patient List Option - Administrative Process Flow

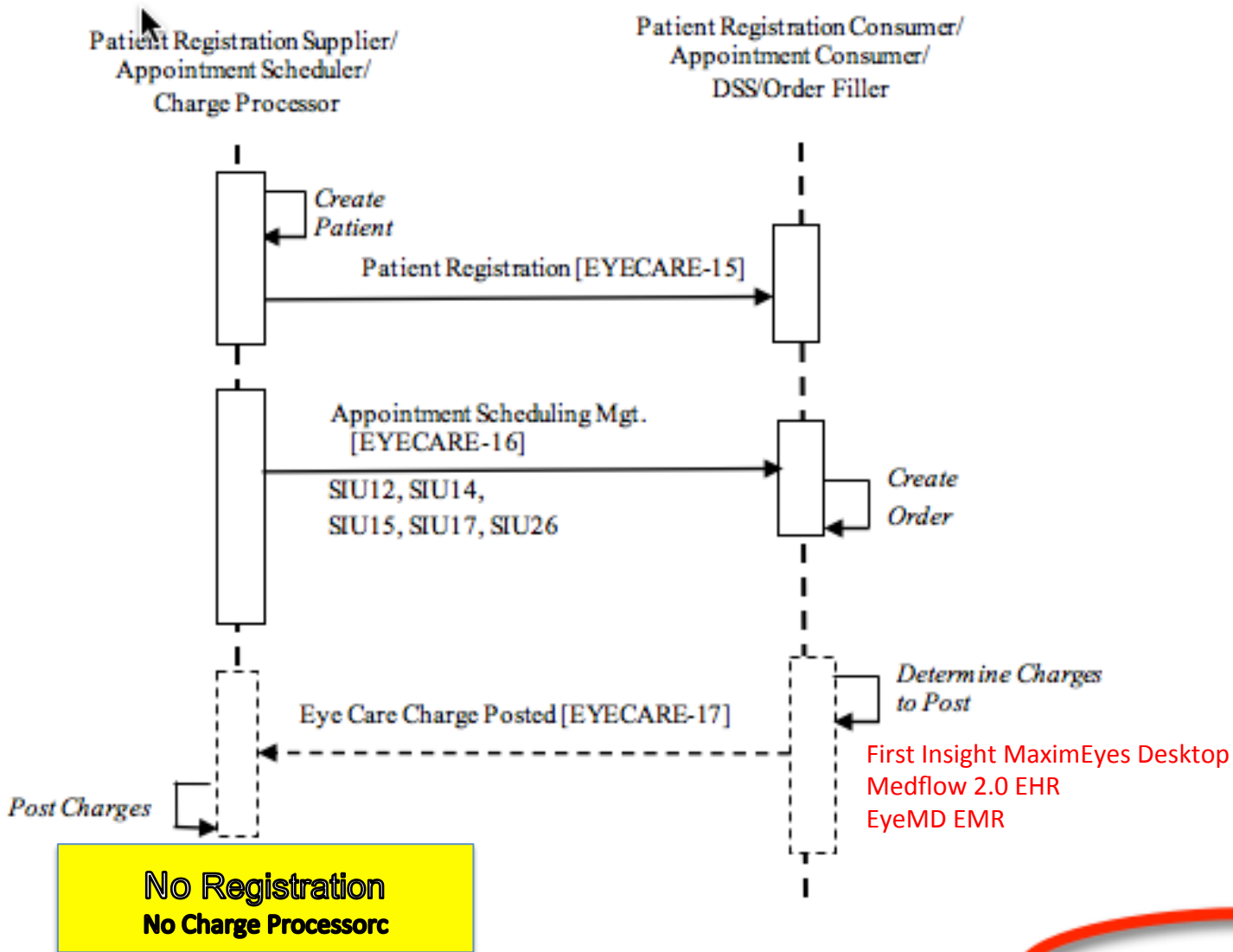


Figure 9.4.1-1: Patient Registration, Appointment Scheduling, Charge Posting Workflow - Administrative Process Flow

GEE



EC-Summary

